



# AR-316 SERIES Stainless Steel Regulator

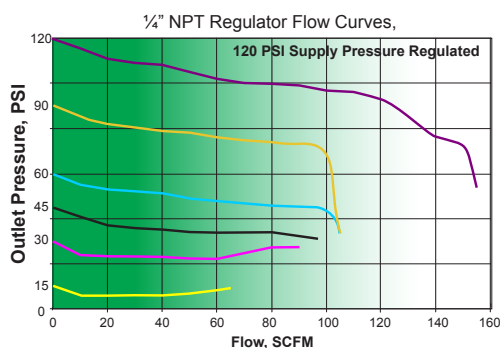
Bulletin AR-316  
September 2010

The Versa Type AR-316 series of stainless steel regulators and filter regulators are designed to stand up to the harshest environments while providing highly accurate pressure regulation. Proven 316 stainless steel housing and filter assemblies along with fluorocarbon diaphragm construction make the AR-316 compatible with sour gas and adaptable to off shore environments. This quality instrument is economical to buy as well as operate, and provides extremely stable and repeatable control of gas pressure. Oversized valving helps the unit achieve high flow rates with minimal pressure drop.

The all 316 stainless steel construction is ideal for sour gas and/or corrosive environments and is NACE Compliant meeting sulfide stress cracking material requirements for NACE Standard MR0175.

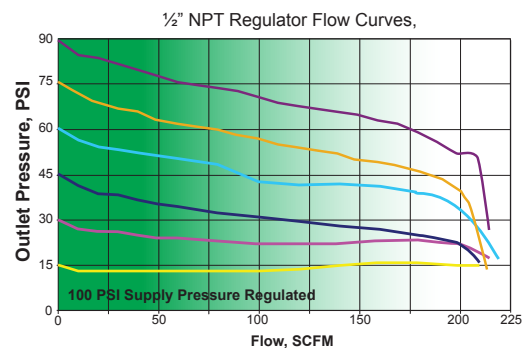
Tapped vent ports on both the 1/4" and 1/2" NPT versions permits remote venting of hazardous gasses.

The combined characteristics of high flow capacity and minimal air consumption means efficient economical operation.



### Flow Rates

1/4" Cv 2.1  
1/2" Cv 4.3



Filter:	25 micron (5 & 40 optional)
Port Size:	
Inlet / Outlet	1/4" or 1/2" NPT
Gauge (2)	1/4" NPT
Vent	1/8" NPT
AutoDrain Port (optional)	1/4" NPT
Media:	Pneumatic only

Pressure	Supply Max:	290 psig (20.0 BAR)
	Output Ranges:	0-30 psig (0-2.1 BAR) 0-60 psig (0-4.1 BAR) 0-100 psig (0-6.9 BAR) 0-150 psig (0-10.3 BAR)
Temperature:	5°F to 180°F (-15°C to 82°C)	std
	-60°F to 300°F (-51°C to 149°C)	-EP
	-20°F to 200°F (-29°C to 93°C)	-44

<b>Exhaust Capacity:</b>	1.0 SCFM (1.7 m3/hr) at down stream pressure of 10 psig (0.7 BAR) above setpoint
<b>Materials:</b>	
Body, bonnet, filter,	316 Stainless steel
Diaphragm, seals	FKM (fluorocarbon)
Valve spring	Inconel
Name plate	316 Stainless steel
Filter	316 Stainless steel (washable)

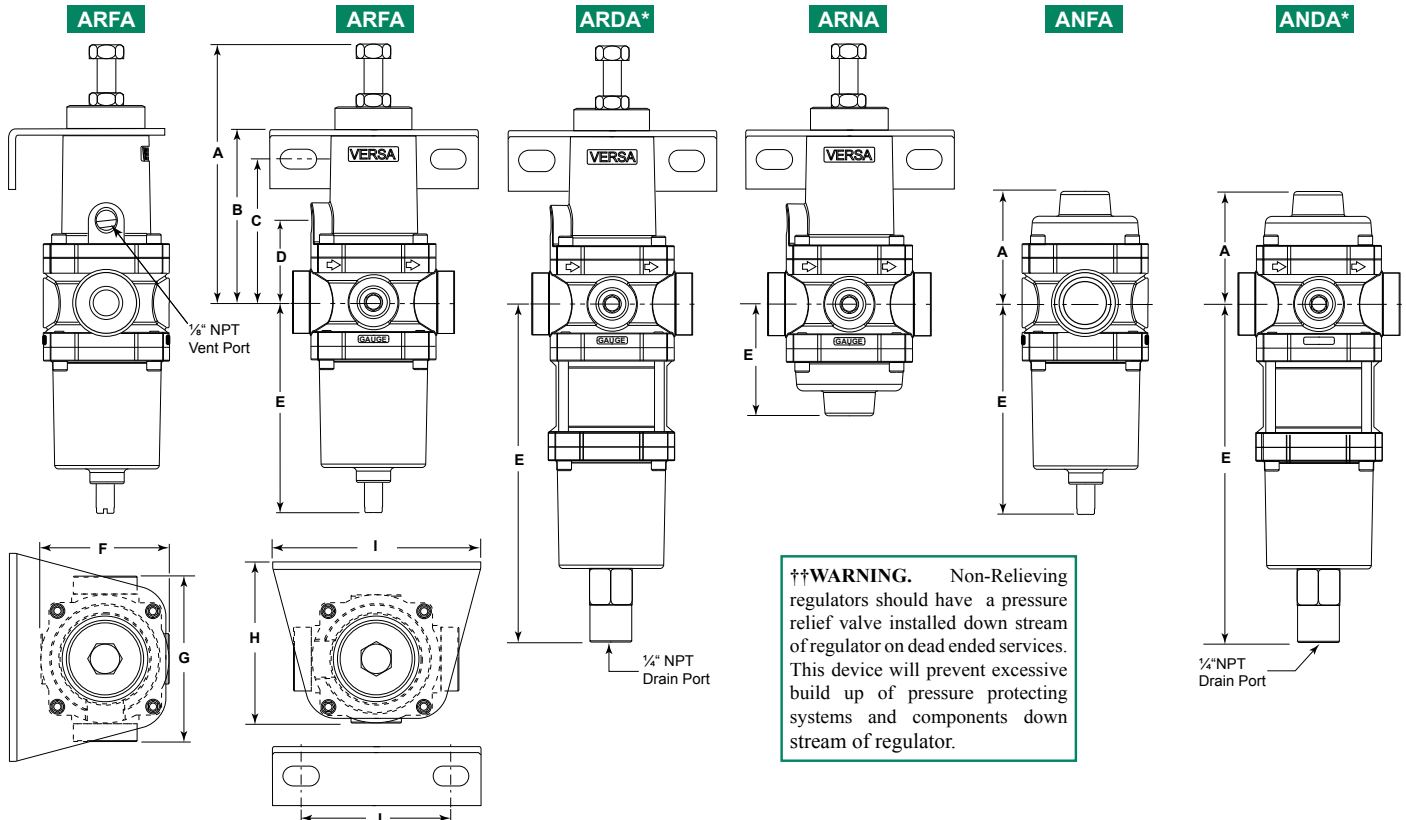
# 316 Stainless Steel Regulator Ordering Information

Size	Pressure	ARFA*		ARNA		ANFA*
		Filter Regulator		Regulator Only		Filter Only
		Relieving	Non Relieving	Relieving	Non Relieving	
1/4"	0-150	ARFA-3111-316-†	ARFA-3121-316-†	ARNA-3011-316-†	ARNA-3021-316-†	ANFA-3100-316-†
	0-100	ARFA-3112-316-†	ARFA-3122-316-†	ARNA-3012-316-†	ARNA-3022-316-†	
	0-60	ARFA-3113-316-†	ARFA-3123-316-†	ARNA-3013-316-†	ARNA-3023-316-†	
	0-30	ARFA-3114-316-†	ARFA-3124-316-†	ARNA-3014-316-†	ARNA-3024-316-†	
1/2"	0-150	ARFA-5111-316-†	ARFA-5121-316-†	ARNA-5011-316-†	ARNA-5021-316-†	ANFA-5100-316-†
	0-100	ARFA-5112-316-†	ARFA-5122-316-†	ARNA-5012-316-†	ARNA-5022-316-†	
	0-60	ARFA-5113-316-†	ARFA-5123-316-†	ARNA-5013-316-†	ARNA-5023-316-†	
	0-30	ARFA-5114-316-†	ARFA-5124-316-†	ARNA-5014-316-†	ARNA-5024-316-†	

† Suffix option(s) added here as required. See Suffix Options below.

\* Standard filter is 25 micron. For 5 micron filter change 6th character from 1 to 2. For 40 micron filter change from 1 to 3. For example change ARFA-3111-316 to ARFA-3211-316.

\* Standard filter supplied with manual drain. For AutoDrain change 3rd character from F to D. Example; change ARFA-3111-316 to ARDA-3111-316. AutoDrain supplied with 1/4" npt drain connection.



## Repair Kits

Part Number	Description
AR-RK-1	Regulator Kit, 1/4" or 1/2", Relieving
AR-RK-2	Regulator Kit, 1/4" or 1/2", Non-Relieving
AR-FK-5	Filter Kit, 1/4" or 1/2", 5 micron
AR-FK-25	Filter Kit, 1/4" or 1/2", 25 micron
AR-FK-40	Filter Kit, 1/4" or 1/2", 40 micron
ARD-RK-1	AutoDrain, Kit, 1/4" or 1/2", Relieving
ARD-RK-2	AutoDrain, Kit, 1/4" or 1/2", Non-Relieving

## Suffix Options

Suffix detail	Description
-AB	Mounting kit, bracket and nut.
-APN	Panel mount nut
-GA	Gauge, 2.5" Diameter
-GAG	Gauge, 2.5" Diameter, Liquid Filled
-GB	Gauge, 2.0" Diameter
-GBG	Gauge, 2.0" Diameter, Liquid Filled
-EP	Low Temperature service, Ethylene Propylene
-44	Low Temperature service, low temp Buna

## Dimensions

Type	Port Size (NPT)	Weight		A		B		C		D		E		F		G		H		I		J	
		lbs	kg	Inch	mm	Inch	mm	Inch	mm	Inch	mm	Inch	mm	Inch	mm	Inch	mm	Inch	mm	Inch	mm	Inch	mm
ARFA	1/4" - 1/2"	2.4	1.1	4.3	109.2	2.38	60.5	2.34	59.4	1.39	35.3	3.58	90.9	2.13	54.1	2.75	69.9	2.69	68.3	3.50	88.9	2.51	63.6
ARDA	1/4" - 1/2"	3.2	1.5	4.3	109.2	2.38	60.5	2.34	59.4	1.39	35.3	5.75	140.9	2.13	54.1	2.75	69.9	2.69	68.3	3.50	88.9	2.51	63.6
ARNA	1/4" - 1/2"	2.2	1.0	4.3	109.2	2.38	60.5	2.34	59.4	1.39	35.3	1.88	47.8	2.13	54.1	2.75	69.9	2.69	68.3	3.50	88.9	2.51	63.6
ANFA	1/4" - 1/2"	2.2	1.0	1.87	45.8	-	-	-	-	-	-	3.58	90.9	2.13	54.1	2.75	69.9	-	-	-	-	-	-
ANDA	1/4" - 1/2"	3.0	1.4	1.87	45.8	-	-	-	-	-	-	5.75	140.9	2.13	54.1	2.75	69.9	-	-	-	-	-	-

While due care was exercised in preparing this document, Versa Products Company, Inc. shall not be liable for any inaccuracies or omissions. Specifications Subject to change without notice.