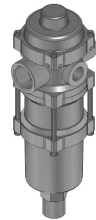
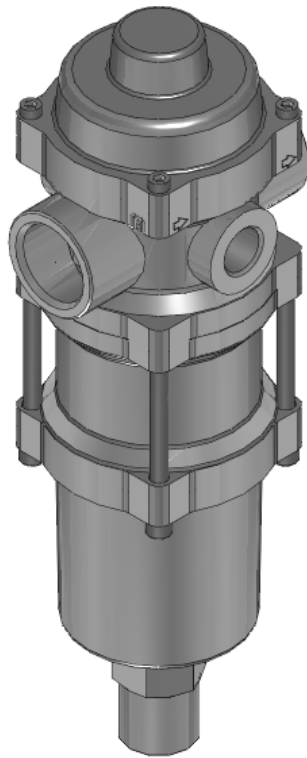




22 Spring Valley Rd.
Paramus, NJ 07652
(201) 843-2400
sales@versa-valves.com

NACE Filter w/Auto Drain,, 1/2"NPT, 25 micron, SST

ANDA-5100-316



Specifications

Actuation	Air Filter With Automatic Drain-Nace Compliant
Port Size	Body Ported, 1/2" NPT
Maximum Supply Pressure (PSI)	150
Differential Pressure (PSI)	0.0000
Valve Pressure Range (PSI)	0-150 psi
Valve Pressure Range (BAR)	0-10.3 bar
Primary Flow	1.6 Cv
Primary Flow Description	Flow value is without filter element
Media	Air - Inert Gas, Natural Gas
Temperature Range (F)	5°F to 300°F
Temperature Range (C)	-15°C to 149°C
Body & Internal Parts	316L Stainless Steel
Weight	2.600000
Filter Element	25 Micron Stainless Steel

This spec sheet is intended for informational purposes only and while VERSA strives for accuracy, same does not constitute a warranty or guarantee, express or implied, regarding any products or services described herein. VERSA reserves the right to amend its product designs, details, specifications, and other information at any time without prior notice. VERSA also publishes information on its website at [VERSA-Valves.com](https://www.versa-valves.com) and information can be sought by contacting customer service at 201-843-2400 option 3, or emailing to sales@versa-valves.com.