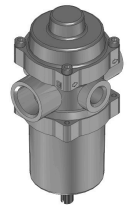
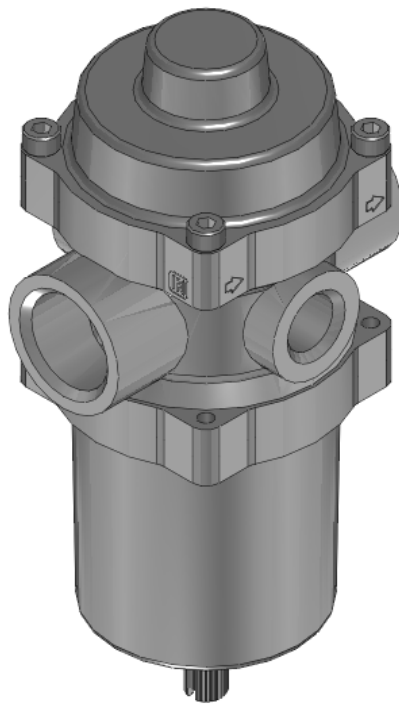




22 Spring Valley Rd.
Paramus, NJ 07652
(201) 843-2400
sales@versa-valves.com

NACE Filter, 1/2"NPT, 25 micron, SST

ANFA-5100-316-EP



Description

Filter Assembly

The VERSA AR-316 Series 1/2" stainless steel filters stand up to the harshest environments while providing superior protection to your equipment. The proven 316 stainless steel housing, filter assemblies, and fluorocarbon diaphragm construction make the AR-316 compatible with sour gas and adaptable to offshore environments.

Product Features

- Constructed of SAE 316L marine grade stainless steel conforming to NACE standard MR-01-75 suitable for direct exposure to sour environments
- Ethylene Propylene o-ring seals resist heat, oxidation, ozone and weather in low-temperature applications: equivalent to EPR or EPM

100% Leak Tested • 10-Year Warranty

Specifications

Actuation	Air Filter-Nace Compliant
Port Size	Body Ported, 1/2" NPT
Differential Pressure (PSI)	0.0000
Valve Pressure Range (PSI)	0-290 psi
Valve Pressure Range (BAR)	0-20.0 bar
Primary Flow	1.6 Cv
Primary Flow Description	Flow value is without filter element
Media	Air - Inert Gas
Temperature Range (F)	-60°F to 300°F
Temperature Range (C)	-51°C to 149°C
Body & Internal Parts	316L Stainless Steel
Weight	2.010000
Filter Element	25 Micron Stainless Steel

This spec sheet is intended for informational purposes only and while VERSA strives for accuracy, same does not constitute a warranty or guarantee, express or implied, regarding any products or services described herein. VERSA reserves the right to amend its product designs, details, specifications, and other information at any time without prior notice. VERSA also publishes information on its website at [VERSA-Valves.com](https://www.versa-valves.com) and information can be sought by contacting customer service at 201-843-2400 option 3, or emailing to sales@versa-valves.com.