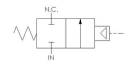
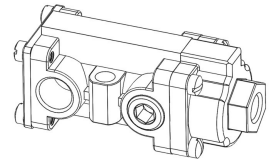
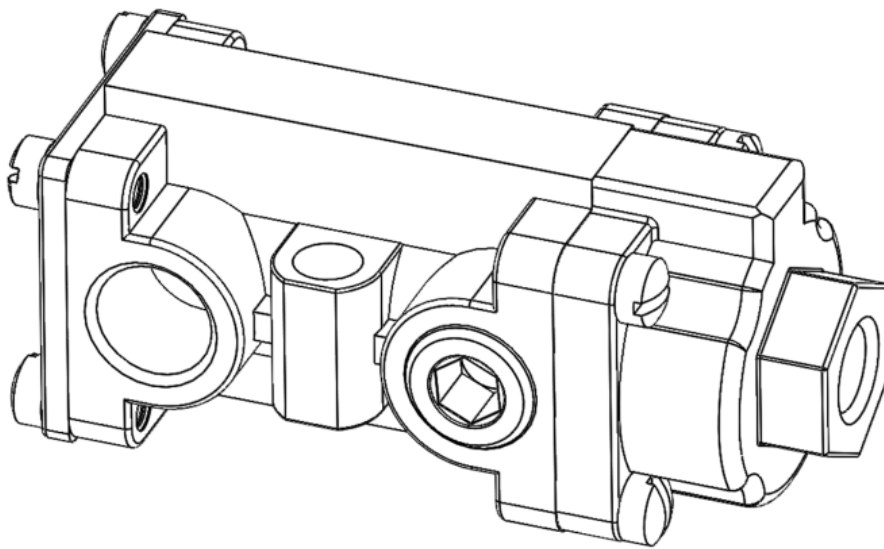




22 Spring Valley Rd.
Paramus, NJ 07652
(201) 843-2400
sales@versa-valves.com

Valve, 2-Way, SST

BSP-2308-316



Description

B-316 Series Directional Control Valve

The VERSA B-316 Series is a complete line of compact, rugged three-way (3/2), side-ported valves constructed of 316 stainless steel which

conforms to NACE standard MR-01-75. They are designed for use in corrosive environments and to control a variety of aggressive media as well as air. The B-316 Series is the pneumatic leader for use in process control, wellhead and safety shutdown systems.

Product Features

- Constructed of SAE 316L marine grade stainless steel conforming to NACE standard MR-01-75 suitable for direct exposure to sour environments
- FKM o-ring seals perform reliably with exposure to hydrocarbons or highly corrosive fluids over a broad temperature range: equivalent to Viton®, Fluorel®

100% Leak Tested • 10-Year Warranty

Specifications

Actuation	Pilot Spring Return
Function	2-way, 2-pos, NC
Port Size	Body Ported, 1/4" NPT
Valve Pressure Range (PSI)	0-200 psi
Valve Pressure Range (BAR)	0-13.8 bar
Primary Flow	1.6 Cv
Media	Air - Inert Gas, Hydraulic, Natural Gas
Temperature Range (F)	-4°F to 300°F
Temperature Range (C)	-20°C to 149°C
Body & Internal Parts	316L Stainless Steel
Weight	0.830000

This spec sheet is intended for informational purposes only and while VERSA strives for accuracy, same does not constitute a warranty or guarantee, express or implied, regarding any products or services described herein. VERSA reserves the right to amend its product designs, details, specifications, and other information at any time without prior notice. VERSA also publishes information on its website at [VERSA-Valves.com](https://www.versa-valves.com) and information can be sought by contacting customer service at 201-843-2400 option 3, or emailing to sales@versa-valves.com.