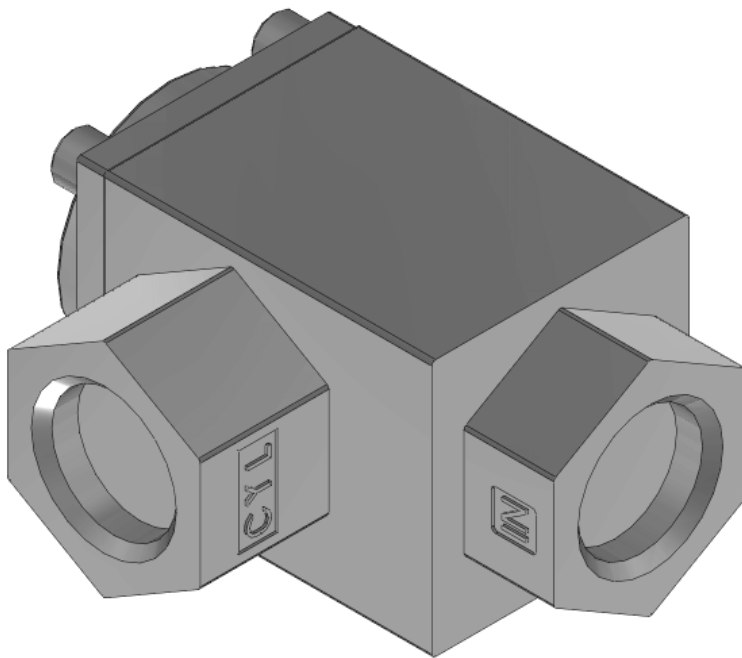




22 Spring Valley Rd.
Paramus, NJ 07652
(201) 843-2400
sales@versa-valves.com

Quick Exhaust (3/4" NPT x 1" NPT), SST

QE-6-316



Specifications

Actuation	Cylinder port exhaust with inlet port pressure loss
Function	3-way, 2-pos, NC
Port Size	Body Ported, 3/4" NPT
Valve Pressure Range (PSI)	5-175 psi
Valve Pressure Range (BAR)	0.34-12.1 bar
Primary Flow	4.6 Cv
Primary Flow Description	Inlet
Media	Air - Inert Gas, Natural Gas
Temperature Range (F)	-29°F to 249°F
Temperature Range (C)	-34°C to 121°C
Body & Internal Parts	316L Stainless Steel
Weight	2.450000

This spec sheet is intended for informational purposes only and while VERSA strives for accuracy, same does not constitute a warranty or guarantee, express or implied, regarding any products or services described herein. VERSA reserves the right to amend its product designs, details, specifications, and other information at any time without prior notice. VERSA also publishes information on its website at [VERSA-Valves.com](https://www.versa-valves.com) and information can be sought by contacting customer service at 201-843-2400 option 3, or emailing to sales@versa-valves.com.