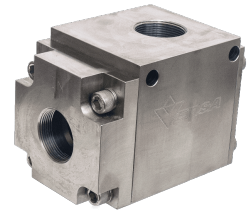
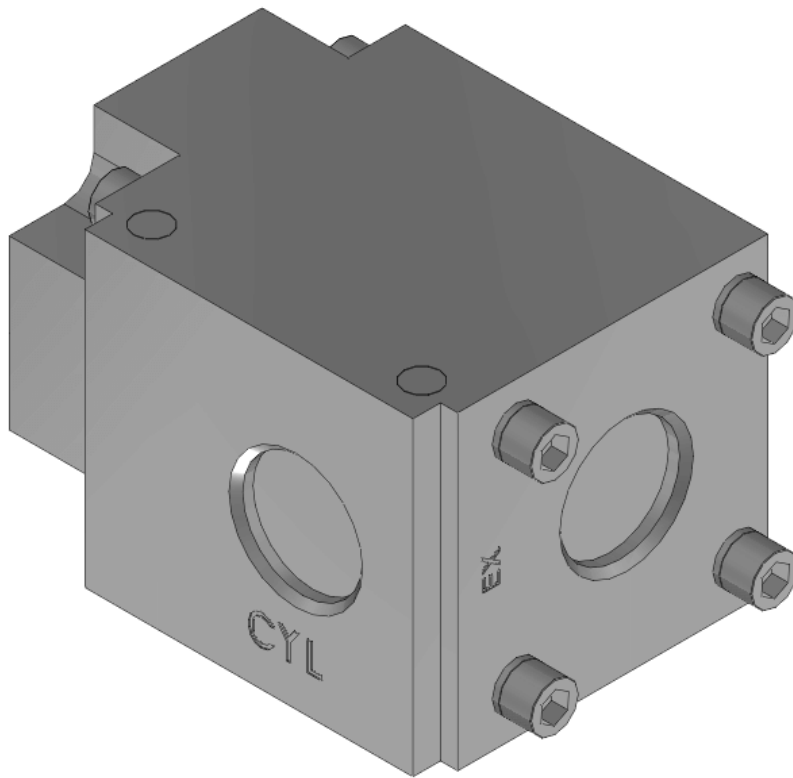


# Quick Exhaust (1" NPT x 1 1/2" NPT), SST

QE-7-316-44



## Description

# Stainless Steel Quick Exhaust Valve

The VERSA stainless steel 1.5" Quick Exhaust Valve is a 3/2 valve with extra large exhaust orifice, designed to be fitted directly at a cylinder port connection. The main purpose of a Quick Exhaust Valve is to get extra fast movement of the cylinder rod or valve actuator.

## Product Features

- Constructed of SAE 316L marine grade stainless steel conforming to NACE standard MR-01-75 suitable for direct exposure to sour environments
- Low-temperature Buna o-ring seals for low-temperature applications down to -40°F

## 100% Leak Tested • 10-Year Warranty

## Specifications

Actuation	Cylinder port exhaust with inlet port pressure loss
Function	3-way, 2-pos, NC
Port Size	Body Ported, 1" NPT
Valve Pressure Range (PSI)	5-175 psi
Valve Pressure Range (BAR)	0.34-12.1 bar
Primary Flow	20.0 Cv
Primary Flow Description	Inlet
Media	Air - Inert Gas, Natural Gas
Temperature Range (F)	-40°F to 194°F
Temperature Range (C)	-40°C to 90°C
Body & Internal Parts	316L Stainless Steel
Weight	19.500000

This spec sheet is intended for informational purposes only and while VERSA strives for accuracy, same does not constitute a warranty or guarantee, express or implied, regarding any products or services described herein. VERSA reserves the right to amend its product designs, details, specifications, and other information at any time without prior notice. VERSA also publishes information on its website at [VERSA-Valves.com](https://www.versa-valves.com) and information can be sought by contacting customer service at 201-843-2400 option 3, or emailing to [sales@versa-valves.com](mailto:sales@versa-valves.com).