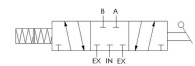
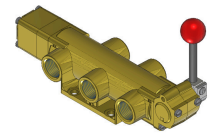
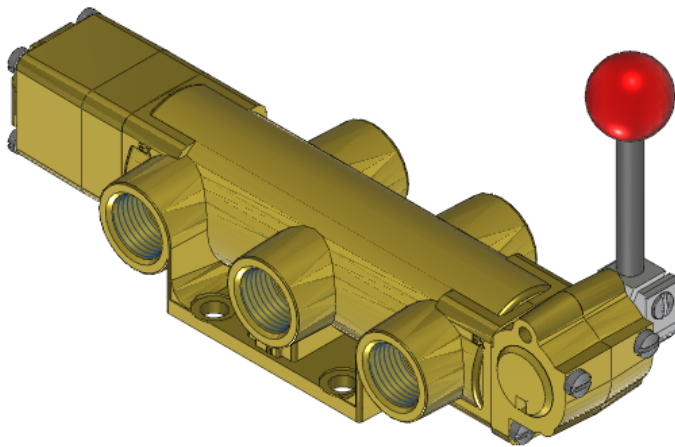




22 Spring Valley Rd.  
Paramus, NJ 07652  
(201) 843-2400  
sales@versa-valves.com

# Valve, 4-Way, Brass

VBH-4503-2B



## Specifications

---

|                            |                                   |
|----------------------------|-----------------------------------|
| Actuation                  | Hand Lever-Offset   Spring Center |
| Function                   | 4-way, 3-pos, Blocked Center      |
| Port Size                  | Body Ported, 1/2" G Threads       |
| Valve Pressure Range (PSI) | VAC-200 psi                       |
| Valve Pressure Range (BAR) | VAC-13.8 bar                      |
| Primary Flow               | 4.0 Cv                            |
| Media                      | Air - Inert Gas, Natural Gas      |
| Temperature Range (F)      | 5°F to 200°F                      |
| Temperature Range (C)      | -15°C to 93°C                     |
| Body & Internal Parts      | Brass                             |
| Weight                     | 5.500000                          |

This spec sheet is intended for informational purposes only and while VERSA strives for accuracy, same does not constitute a warranty or guarantee, express or implied, regarding any products or services described herein. VERSA reserves the right to amend its product designs, details, specifications, and other information at any time without prior notice. VERSA also publishes information on its website at [VERSA-Valves.com](https://www.versa-valves.com) and information can be sought by contacting customer service at 201-843-2400 option 3, or emailing to [sales@versa-valves.com](mailto:sales@versa-valves.com).