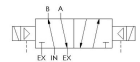
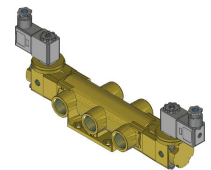
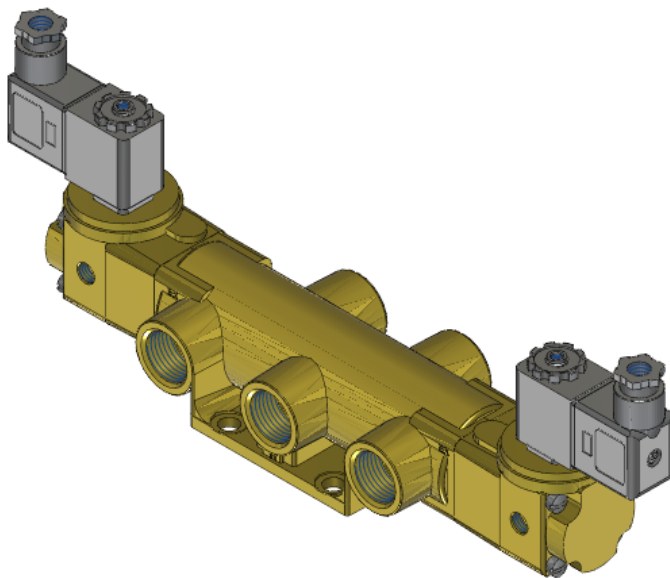




22 Spring Valley Rd.  
Paramus, NJ 07652  
(201) 843-2400  
sales@versa-valves.com

# Valve, 4-Way, Brass, 24VDC

VGG-4502-HC-XISX6-155-D024



## Description

### Versa V Series Directional Control Valve

The VERSA 1/2" brass V Series valves are suited for nearly all pneumatic directional control applications. The V Series is designed for trouble-

free performance even in the harshest environments. The integrity of design makes them adaptable to a maximum number of applications with a minimum number of components. This is possible through the modular approach to valve construction, which allows valve bodies and actuating devices to be interchanged end for end and valve for a valve in many cases. The modular approach to this valve design makes thousands of valve variations possible, allowing the customer to "build" his valve to fit his unique specifications.

## Product Features

- Constructed of forged brass for long-lasting, corrosion-resistant strength. Functions without fail when exposed to mud, water, salt, grime, oils and chemicals
- FKM o-ring seals perform reliably with exposure to hydrocarbons or highly corrosive fluids over a broad temperature range: equivalent to Viton®, Fluorel®

## Solenoid Features

- Solenoid coil connection: DIN Connector with PG9 cord grip

## 100% Leak Tested • 10-Year Warranty

## Specifications

Actuation	Double Solenoid-Pilot
Function	4-way, 2-pos
Port Size	Body Ported, 1/2" NPT
Valve Pressure Range (PSI)	VAC-200 psi
Valve Pressure Range (BAR)	VAC-13.8 bar
Primary Flow	4.0 Cv
Media	Air - Inert Gas, Natural Gas
Pilot Pressure Range (PSI)	20-115 psi
Pilot Pressure Range (BAR)	1.38-7.93 bar
Temperature Range (F)	-4°F to 122°F
Temperature Range (C)	-20°C to 50°C
Body & Internal Parts	Brass
Weight	6.810000

## Solenoid Specifications

Solenoid Description	Hazloc - EN Class XISX Option
Voltage	24 V DC $\pm$ 10% (D024)
Power	1.6 W
Inrush Current (mA)	88
Holding Current (mA)	88
Resistance $\Omega$	273
Ingress Protection Rating	IP65
Electrical Protection	Not applicable
Area Classification	II 2 G Ex db IIC T4 Gb , II 2 D Ex tb IIIC IP66 T135°C Db
Coil Class	Std
Protection Classification	ia
Zone	1
T Rating (Gas)	6
Solenoid Housing Material	Engineered Polymer
Solenoid Seal Material	Low Temperature Buna
Solenoid Connection	Din Connector (PG9 cord grip)
Certification	ATEX, CSA, FM, IECEx, PESO

This spec sheet is intended for informational purposes only and while VERSA strives for accuracy, same does not constitute a warranty or guarantee, express or implied, regarding any products or services described herein. VERSA reserves the right to amend its product designs, details, specifications, and other information at any time without prior notice. VERSA also publishes information on its website at [VERSA-Valves.com](https://www.versa-valves.com) and information can be sought by contacting customer service at 201-843-2400 option 3, or emailing to [sales@versa-valves.com](mailto:sales@versa-valves.com).