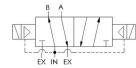
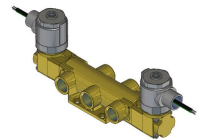
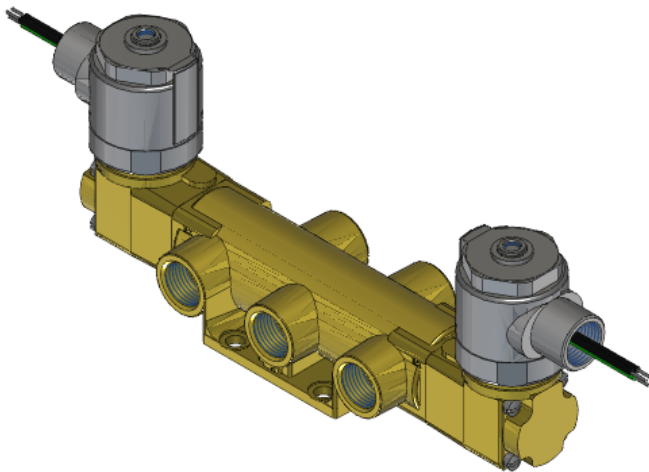




22 Spring Valley Rd.  
Paramus, NJ 07652  
(201) 843-2400  
sales@versa-valves.com

# Valve, 4-Way, Brass, 24VDC

VGG-4522-XX-D024



## Specifications

---

|                            |                              |
|----------------------------|------------------------------|
| Actuation                  | Double Solenoid-Pilot        |
| Function                   | 4-way, 2-pos                 |
| Port Size                  | Body Ported, 1/2" NPT        |
| Valve Pressure Range (PSI) | 20-175 psi                   |
| Valve Pressure Range (BAR) | 1.38-12.1 bar                |
| Primary Flow               | 4.0 Cv                       |
| Media                      | Air - Inert Gas, Natural Gas |
| Gas Temperature Range (F)  | -4°F to 140°F                |
| Gas Temperature Range (C)  | -20°C to 60°C                |
| Dust Temperature Range (F) | -4°F to 140°F                |
| Dust Temperature Range (C) | -20°C to 60°C                |
| Body & Internal Parts      | Brass                        |
| Weight                     | 8.080000                     |

## Solenoid Specifications

---

|                           |   |
|---------------------------|---|
| Solenoid Description      | Hazloc - E Class  |
| Voltage                   | 24 V DC $\pm$ 10% (D024)  |
| Power                     | 9.5 W   |
| Inrush Current (mA)       | 381   |
| Holding Current (mA)      | 381   |
| Resistance $\Omega$       | 63  |
| Ingress Protection Rating | NEMA 1,2,3  |
| Electrical Protection     | Not applicable  |
| Area Classification       | Cl I, Grps C,D - Cl II, Grps E,F,G - Cl I, Div 2, Grps A,B,C,D - Cl II, Div 2, Grps E,F,G |
| Coil Class                | Std   |
| T Rating (Gas)            | 3C  |
| T Rating (Dust)           | 3C  |
| Solenoid Housing Material | Steel - Plated  |
| Solenoid Seal Material    | FKM   |
| Solenoid Connection       | 1/2" NPT female conduit with 24" wires  |
| Certification             | cULus   |

This spec sheet is intended for informational purposes only and while VERSA strives for accuracy, same does not constitute a warranty or guarantee, express or implied, regarding any products or services described herein. VERSA reserves the right to amend its product designs, details, specifications, and other information at any time without prior notice. VERSA also publishes information on its website at [VERSA-Valves.com](https://www.versa-valves.com) and information can be sought by contacting customer service at 201-843-2400 option 3, or emailing to [sales@versa-valves.com](mailto:sales@versa-valves.com).