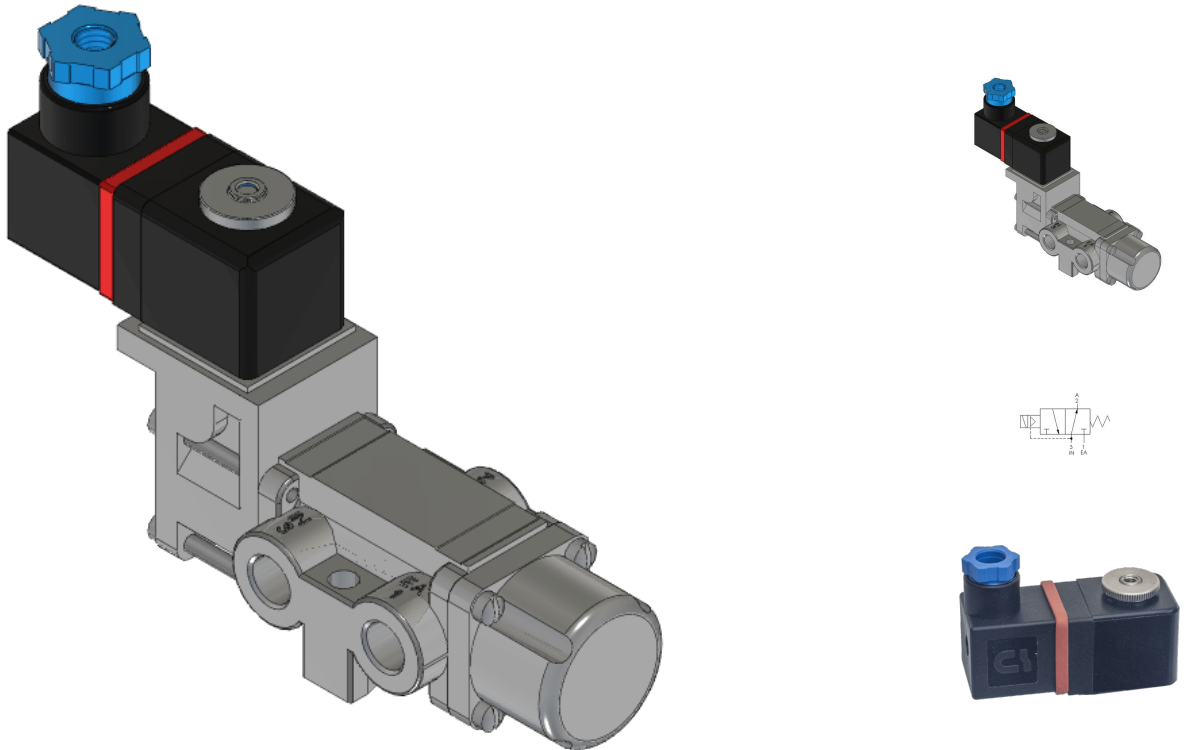




22 Spring Valley Rd.  
Paramus, NJ 07652  
(201) 843-2400  
sales@versa-valves.com

# Valve, 3-Way, SST, 24VDC

VGS-3322-316-HC-XISX6-D024



## Description

### V-316 Series Directional Control Valve

The 1/4" V-316 Series directional control valve is suited for the most demanding applications. Ruggedly constructed, internally and externally, of

stainless steel, these valves can withstand the physical abuse of corrosive environments and controlled media. The modular design concept utilizes three basic sub-assemblies: a body assembly and two actuator assemblies that simplify circuit planning while affording almost unlimited combinations.

## Product Features

- Constructed of SAE 316L marine grade stainless steel conforming to NACE standard MR-01-75 suitable for direct exposure to sour environments
- FKM o-ring seals perform reliably with exposure to hydrocarbons or highly corrosive fluids over a broad temperature range: equivalent to Viton®, Fluorel®

## Solenoid Features

- Solenoid coil connection: DIN Connector with PG9 cord grip

## 100% Leak Tested • 10-Year Warranty

## Specifications

Actuation	Solenoid-Pilot   Spring Return
Function	3-way, 2-pos, NO
Port Size	Body Ported, 1/4" NPT
Valve Pressure Range (PSI)	40-115 psi
Valve Pressure Range (BAR)	2.76-7.93 bar
Primary Flow	1.8 Cv
Media	Air - Inert Gas, Natural Gas
Temperature Range (F)	-4°F to 122°F
Temperature Range (C)	-20°C to 50°C
Body & Internal Parts	316L Stainless Steel
Weight	2.550000

## Solenoid Specifications

---

Solenoid Description	Hazloc - EN Class XISX Option
Voltage	24 V DC ±10% (D024)
Power	1.6 W
Inrush Current (mA)	88
Holding Current (mA)	88
Resistance Ω	273
Ingress Protection Rating	IP65
Electrical Protection	Not applicable
Area Classification	II 2 G Ex db IIC T4 Gb , II 2 D Ex tb IIIC IP66 T135°C Db
Coil Class	Std
Protection Classification	ia
Zone	1
T Rating (Gas)	6
Solenoid Housing Material	Engineered Polymer
Solenoid Seal Material	Low Temperature Buna
Solenoid Connection	Din Connector (PG9 cord grip)
Certification	ATEX, CSA, FM, IECEx, PESO

This spec sheet is intended for informational purposes only and while VERSA strives for accuracy, same does not constitute a warranty or guarantee, express or implied, regarding any products or services described herein. VERSA reserves the right to amend its product designs, details, specifications, and other information at any time without prior notice. VERSA also publishes information on its website at [VERSA-Valves.com](https://www.versa-valves.com) and information can be sought by contacting customer service at 201-843-2400 option 3, or emailing to [sales@versa-valves.com](mailto:sales@versa-valves.com).