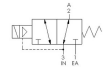
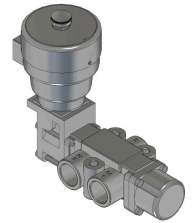
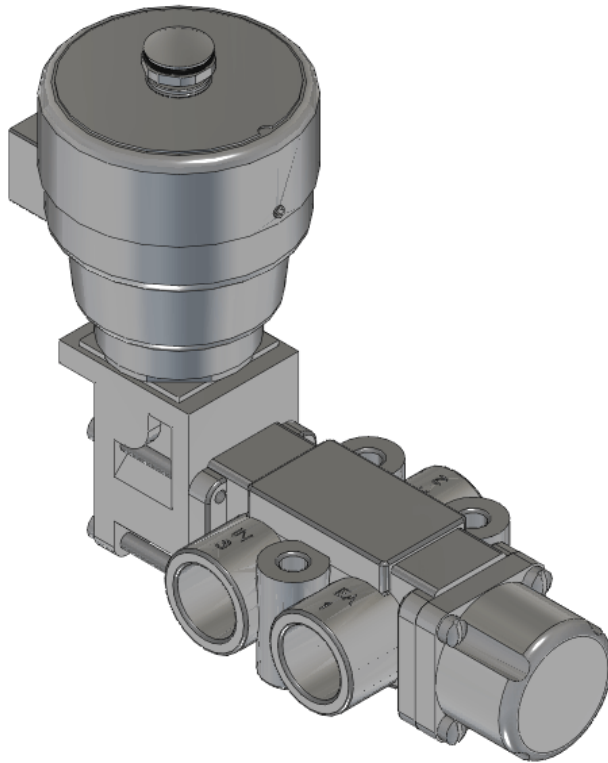




22 Spring Valley Rd.
Paramus, NJ 07652
(201) 843-2400
sales@versa-valves.com

Valve, 3-Way, SST, 24VDC

VGS-3522-316-XDBT9-D024



Specifications

| | |
|----------------------------|--------------------------------|
| Actuation | Solenoid-Pilot Spring Return |
| Function | 3-way, 2-pos, NO |
| Port Size | Body Ported, 1/2" NPT |
| Valve Pressure Range (PSI) | 40-175 psi |
| Valve Pressure Range (BAR) | 2.76-12.1 bar |
| Primary Flow | 5.5 Cv |
| Media | Air - Inert Gas, Natural Gas |
| Temperature Range (F) | -4°F to 194°F |
| Temperature Range (C) | -20°C to 90°C |
| Body & Internal Parts | 316L Stainless Steel |
| Weight | 4.040000 |

Solenoid Specifications

| | |
|---------------------------|---|
| Solenoid Description | Hazloc - E4 Class XDB Option |
| Voltage | 24 V DC ±10% (D024) |
| Power | 1.8 W |
| Inrush Current (mA) | 75 |
| Holding Current (mA) | 75 |
| Resistance Ω | 320 |
| Ingress Protection Rating | IP66 / 67 / 68, NEMA 4X & 6P |
| Electrical Protection | Not applicable |
| Area Classification | Cl I, Grps B,C,D - Cl I, Div 2, Grps A-D, Cl II, Grps E,F,G - Cl III, Cl I, Zn 1 A/Ex db IIC - Cl II, Zn 21 AEx tD A21, DIP A21 |
| Coil Class | H |
| Protection Classification | db tb |
| Zone | 1 |
| T Rating (Gas) | 4 |
| T Rating (Dust) | 135 |
| Solenoid Housing Material | Stainless Steel - Type 316L |
| Solenoid Seal Material | FKM |
| Solenoid Connection | 1/2" NPT female conduit (integral junction box) |
| Certification | ATEX, cCSAus, IECEx, INMETRO, KC, NEPSI-CCC, PESO, TR-CU, TS OSHA |

This spec sheet is intended for informational purposes only and while VERSA strives for accuracy, same does not constitute a warranty or guarantee, express or implied, regarding any products or services described herein. VERSA reserves the right to amend its product designs, details, specifications, and other information at any time without prior notice. VERSA also publishes information on its website at [VERSA-Valves.com](https://www.versa-valves.com) and information can be sought by contacting customer service at 201-843-2400 option 3, or emailing to sales@versa-valves.com.