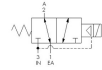
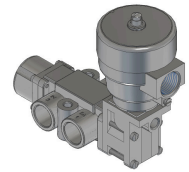
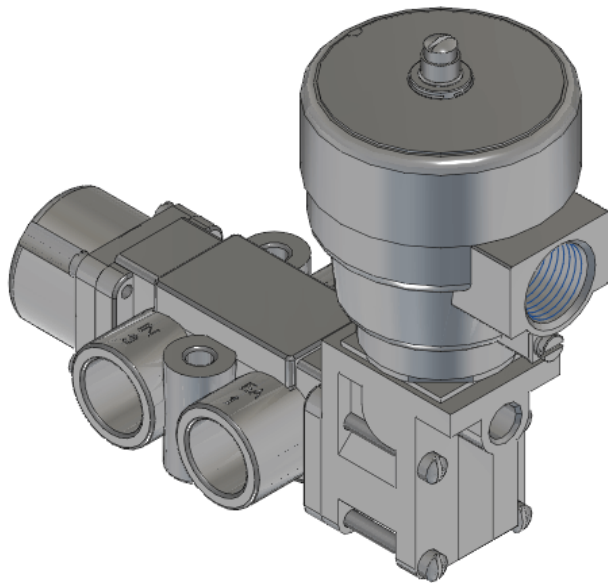




22 Spring Valley Rd.  
Paramus, NJ 07652  
(201) 843-2400  
sales@versa-valves.com

# Valve, 3-Way, SST, 120V60Hz

VSG-3521-316-XDBT4-44-A120



## Description

### V-316 Series Directional Control Valve

The 1/2" V-316 Series directional control valve is suited for the most demanding applications. Ruggedly constructed, internally and externally, of

stainless steel, these valves can withstand the physical abuse of corrosive environments and controlled media. The modular design concept utilizes three basic sub-assemblies: a body assembly and two actuator assemblies that simplify circuit planning while affording almost unlimited combinations.

## Product Features

- Constructed of SAE 316L marine grade stainless steel conforming to NACE standard MR-01-75 suitable for direct exposure to sour environments
- Low-temperature Buna o-ring seals for low-temperature applications down to -40°F

## Solenoid Features

- Solenoid coil connection: 1/2" NPT female conduit with integral junction box

## 100% Leak Tested • 10-Year Warranty

## Specifications

|                            |                                |
|----------------------------|--------------------------------|
| Actuation                  | Solenoid-Pilot   Spring Return |
| Function                   | 3-way, 2-pos, NC               |
| Port Size                  | Body Ported, 1/2" NPT          |
| Valve Pressure Range (PSI) | 40-175 psi                     |
| Valve Pressure Range (BAR) | 2.76-12.1 bar                  |
| Primary Flow               | 5.5 Cv                         |
| Media                      | Air - Inert Gas, Natural Gas   |
| Temperature Range (F)      | -40°F to 140°F                 |
| Temperature Range (C)      | -40°C to 60°C                  |
| Body & Internal Parts      | 316L Stainless Steel           |
| Weight                     | 3.990000                       |

## Solenoid Specifications

|                           |   |
|---------------------------|---|
| Solenoid Description      | Hazloc - E4 Class XDB Option  |
| Voltage                   | 120 V 60 Hz ±10% (A120)   |
| Power                     | 3.2 VA  |
| Inrush Current (mA)       | 57  |
| Holding Current (mA)      | 27  |
| Resistance Ω              | 687   |
| Ingress Protection Rating | IP66 / 67 / 68, NEMA 4X & 6P  |
| Electrical Protection     | Not applicable  |
| Area Classification       | Cl I, Grps B,C,D - Cl I, Div 2, Grps A-D, Cl II, Grps E,F,G - Cl III, Cl I, Zn 1 A/Ex db IIC - Cl II, Zn 21 AEx tD A21, DIP A21 |
| Coil Class                | H   |
| Protection Classification | db tb   |
| Zone                      | 1   |
| T Rating (Gas)            | 4   |
| T Rating (Dust)           | 135   |
| Solenoid Housing Material | Stainless Steel - Type 316L   |
| Solenoid Seal Material    | Low Temperature Buna  |
| Solenoid Connection       | 1/2" NPT female conduit (integral junction box)   |
| Certification             | ATEX, cCSAus, IECEx, INMETRO, KC, NEPSI-CCC, PESO, TR-CU, TS OSHA   |

This spec sheet is intended for informational purposes only and while VERSA strives for accuracy, same does not constitute a warranty or guarantee, express or implied, regarding any products or services described herein. VERSA reserves the right to amend its product designs, details, specifications, and other information at any time without prior notice. VERSA also publishes information on its website at [VERSA-Valves.com](https://www.versa-valves.com) and information can be sought by contacting customer service at 201-843-2400 option 3, or emailing to [sales@versa-valves.com](mailto:sales@versa-valves.com).