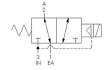
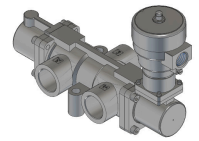
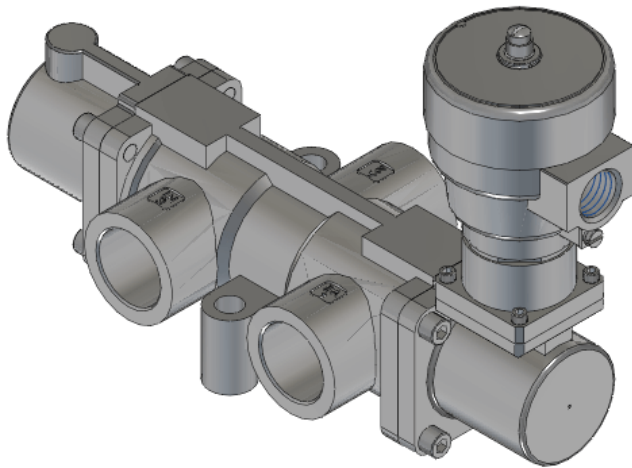




22 Spring Valley Rd.
Paramus, NJ 07652
(201) 843-2400
sales@versa-valves.com

Valve, 3-Way, SST, 24VDC

VSG-3721-316-XDBS8-D024



Description

V-316 Series Directional Control Valve

The 1" V-316 Series directional control valve is suited for the most demanding applications. Ruggedly constructed, internally and externally, of

stainless steel, these valves can withstand the physical abuse of corrosive environments and controlled media. The modular design concept utilizes three basic sub-assemblies: a body assembly and two actuator assemblies that simplify circuit planning while affording almost unlimited combinations.

Product Features

- Constructed of SAE 316L marine grade stainless steel conforming to NACE standard MR-01-75 suitable for direct exposure to sour environments
- FKM o-ring seals perform reliably with exposure to hydrocarbons or highly corrosive fluids over a broad temperature range: equivalent to Viton®, Fluorel®

Solenoid Features

- Solenoid coil connection: M20 female conduit with integral junction box

100% Leak Tested • 10-Year Warranty

Specifications

| | |
|----------------------------|--------------------------------|
| Actuation | Solenoid-Pilot Spring Return |
| Function | 3-way, 2-pos, NC |
| Port Size | Body Ported, 1" NPT |
| Valve Pressure Range (PSI) | 50-175 psi |
| Valve Pressure Range (BAR) | 3.45-12.1 bar |
| Primary Flow | 11.1 Cv |
| Media | Air - Inert Gas, Natural Gas |
| Temperature Range (F) | -4°F to 194°F |
| Temperature Range (C) | -20°C to 90°C |
| Body & Internal Parts | 316L Stainless Steel |
| Weight | 9.560000 |

Solenoid Specifications

| | |
|---------------------------|--|
| Solenoid Description | Hazloc - E4 Class XDB Option |
| Voltage | 24 V DC \pm 10% (D024) |
| Power | 1.8 W |
| Inrush Current (mA) | 75 |
| Holding Current (mA) | 75 |
| Resistance Ω | 320 |
| Ingress Protection Rating | IP66 / 67 / 68, NEMA 4X & 6P |
| Electrical Protection | Freewheeling (flyback) diode, limits reverse voltage |
| Area Classification | Cl I, Zn 1 A/Ex db IIC - Cl II, Zn 21 AEx tD A21, DIP A21, II 2 G Ex db IIC T4 Gb , II 2 D Ex tb IIIC IP66 T135°C Db |
| Coil Class | H |
| Protection Classification | db |
| Zone | 1 |
| T Rating (Gas) | 4 |
| T Rating (Dust) | 135 |
| Solenoid Housing Material | Stainless Steel - Type 316L |
| Solenoid Seal Material | FKM |
| Solenoid Connection | M20 female conduit (integral junction box) |
| Certification | ATEX, cCSAus, IECEx, INMETRO, KC, NEPSI-CCC, PESO, TR-CU, TS OSHA |

This spec sheet is intended for informational purposes only and while VERSA strives for accuracy, same does not constitute a warranty or guarantee, express or implied, regarding any products or services described herein. VERSA reserves the right to amend its product designs, details, specifications, and other information at any time without prior notice. VERSA also publishes information on its website at [VERSA-Valves.com](https://www.versa-valves.com) and information can be sought by contacting customer service at 201-843-2400 option 3, or emailing to sales@versa-valves.com.