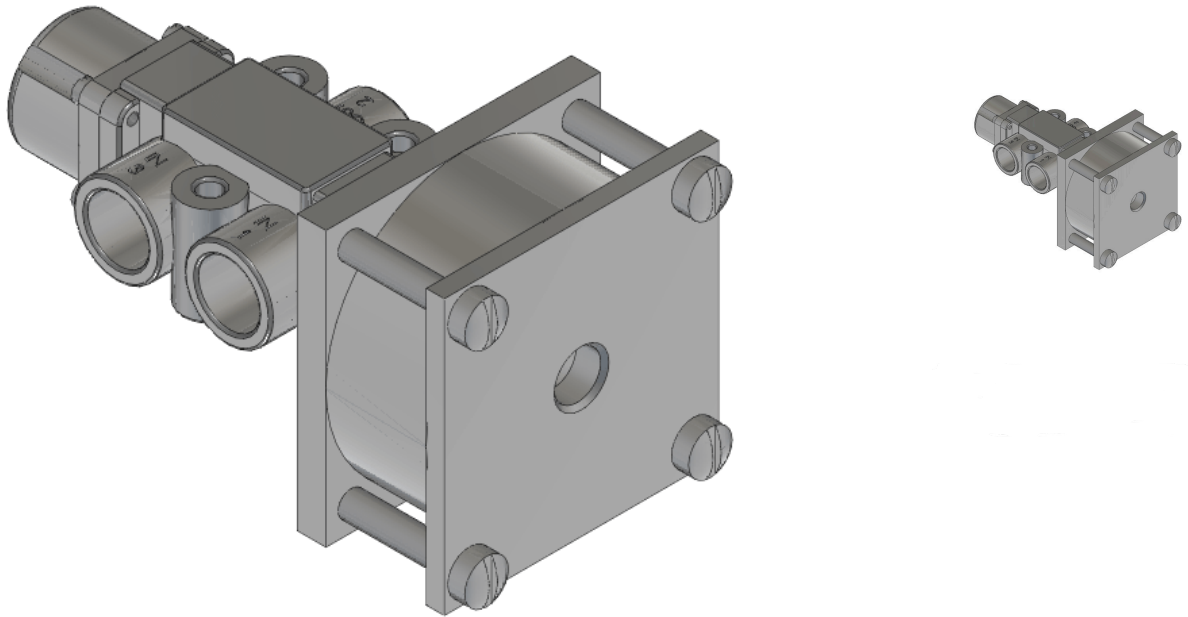




22 Spring Valley Rd.  
Paramus, NJ 07652  
(201) 843-2400  
sales@versa-valves.com

# Valve, Selector, SST

VSW-8502-316



## Description

### V-316 Series Directional Control Valve

The 1/2" V-316 Series directional control valve is suited for the most demanding applications. Ruggedly constructed, internally and externally, of

stainless steel, these valves can withstand the physical abuse of corrosive environments and controlled media. The modular design concept utilizes three basic sub-assemblies: a body assembly and two actuator assemblies that simplify circuit planning while affording almost unlimited combinations.

## Product Features

- Constructed of SAE 316L marine grade stainless steel conforming to NACE standard MR-01-75 suitable for direct exposure to sour environments
- FKM o-ring seals perform reliably with exposure to hydrocarbons or highly corrosive fluids over a broad temperature range: equivalent to Viton®, Fluorel®

## 100% Leak Tested • 10-Year Warranty

## Specifications

|                            |   |
|----------------------------|---|
| Actuation                  | Diaphragm-Pilot   Spring Return             |
| Function                   | Selector (2 inlets-1 outlet), 2-pos [8-way] |
| Port Size                  | Body Ported, 1/2" NPT                       |
| Valve Pressure Range (PSI) | VAC-200 psi                                 |
| Valve Pressure Range (BAR) | VAC-13.8 bar                                |
| Primary Flow               | 5.5 Cv                                      |
| Media                      | Air - Inert Gas, Natural Gas                |
| Pilot Pressure Range (PSI) | 10-50 psi                                   |
| Pilot Pressure Range (BAR) | 0.70-3.45 bar                               |
| Temperature Range (F)      | 5°F to 200°F                                |
| Temperature Range (C)      | -15°C to 93°C                               |
| Body & Internal Parts      | 316L Stainless Steel                        |
| Weight                     | 4.870000                                    |

This spec sheet is intended for informational purposes only and while VERSA strives for accuracy, same does not constitute a warranty or guarantee, express or implied, regarding any products or services described herein. VERSA reserves the right to amend its product designs, details, specifications, and other information at any time without prior notice. VERSA also publishes information on its website at [VERSA-Valves.com](https://www.versa-valves.com) and information can be sought by contacting customer service at 201-843-2400 option 3, or emailing to [sales@versa-valves.com](mailto:sales@versa-valves.com).