

# 1/2" NAMUR

## C9 Series

Product Bulletin 193  
July 2017

The C9 NAMUR is the newest addition to the Versa NAMUR line of valves. The C9 is a 1/2" NPT ported NAMUR configured valve designed to provide higher flow to larger rack and pinion actuators.

The C9 is a solenoid pilot operated valve available as single or double solenoid 2-position or 3-position valve.

A complete selection of electrical connections, area classifications, and power requirements makes the most exacting and demanding specifications or applications easy to satisfy.

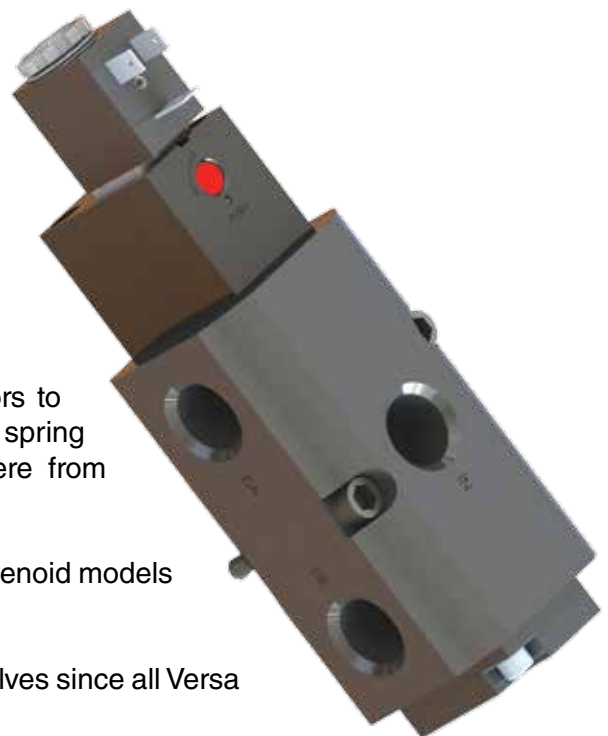
The C9 NAMUR valve is available as either 4-way (for double acting actuators) or 3-way (for spring return or fail-safe actuators). This valve is field convertible, requiring no special tools, gaskets, or sealants.

Relocation of a port plate converts a 3-way to a 4-way, or a 4-way to a 3-way. When the 4-way valve is converted to 3-way function, an internal drilling provides an integral ReBreather function to prevent contaminants from entering the actuator.

The ReBreather function is used on single acting actuators to utilize air from the exhaust cycle of the piston side to fill the spring side of actuator, preventing corrosive external atmosphere from entering the spring side.

Single solenoid models (for 2-position control) or double solenoid models (for 2 or 3-position control) are available.

Actuator positioning is possible with the use of 3-position valves since all Versa C9 NAMUR valves are bubble tight.



<b>Function:</b> 4-Way (or 3-Way convertible) 2 or 3 position
<b>Flow Rate:</b> Cv = 3.5
<b>Port Size:</b> Inlet and exhaust: 1/2" NPT (actuator ports, O-ring sealed)
<b>Media:</b> Pneumatic only, Lubricator not required
<b>Pressure:</b> 30 to 150 psi (1.8 to 10.3 bar), Single solenoid, spring return 15 to 150 psi (1.0 to 10.3 bar), Double solenoid, detent
<b>Temperature:</b> -4 to 122° F (-20 to 50° C), Media and ambient

<b>Materials:</b>	
Valve body/Plunger:	Aluminum
Valve seals:	FKM (fluorocarbon)
Screws:	Stainless steel
Solenoid internal parts:	400 type stainless steel
Coil/solenoid housing:	per solenoid option selected.
<b>Mounting:</b>	Direct Mounting on NAMUR interface. Can be mounted in any position
<b>Mounting Screw:</b>	M6 or 1/4"

## PART NUMBER SELECTION GUIDE

**CGS-4532-NB1-M-228L-D024**

### Valve Function (Field Convertible)

<b>CGS-4532</b>	4-Way, 2 position single solenoid, spring return
<b>CGG-4532</b>	4-Way, 2 position double solenoid, detented
<b>CXX-4533</b>	4-Way, 3 position double solenoid, blocked spring center
<b>CXX-4534</b>	4-Way, 3 position double solenoid, cylinder ports open, spring center
<b>CSG-3532</b>	3-Way, 2 position NO, single solenoid, spring return
<b>CGS-3531</b>	3-Way, 2 position NC, single solenoid, spring return
<b>CGG-3532</b>	3-Way, 2 position double solenoid, detented
<b>CXX-3533</b>	3-Way, 3 position double solenoid, blocked spring center

### Mounting Screws

<b>NB1</b>	M6 - 10
<b>NB2</b>	¼" - 20

### Override Options

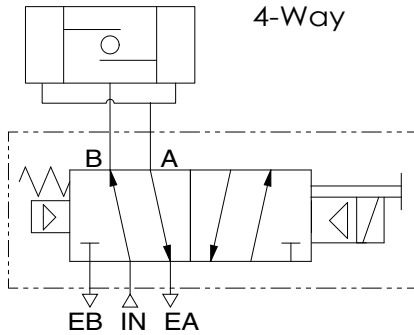
<b>None</b>	Push, turn to lock, guarded
<b>M</b>	Push, un-locking, un-guarded
<b>CML</b>	Push, turn to lock, un-guarded

### Voltage

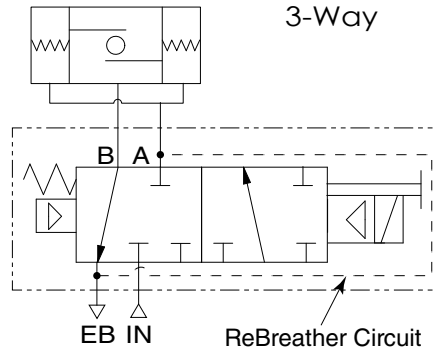
<b>D012</b>	12vdc	<b>A024</b>	24/60
<b>D024</b>	24vdc	<b>A120</b>	120/60
<b>D048</b>	48vdc	<b>A240</b>	240/60

### Electrical Options

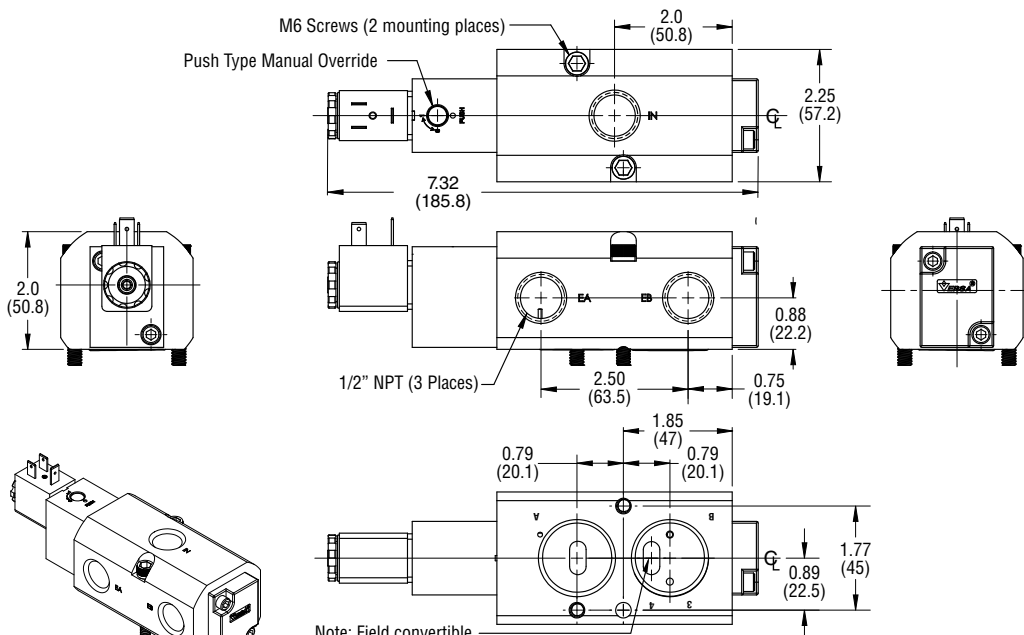
<b>None</b>	Spade terminals
<b>HC</b>	DIN connector
<b>228L</b>	½" conduit
<b>C50</b>	½" NPT conduit, plated steel coil housing
<b>PC</b>	½" NPT conduit, NEMA 4 & 4X, plated steel coil housing
<b>243</b>	Flying leads
<b>XX</b>	½" NPT conduit, plated steel coil housing, Hazardous Location



4-Way



3-Way



Note: Field convertible.  
 For a 4-Way Function the plug slot is location "4" (as shown).  
 For a 3-Way Function the plug slot is location "3".

Inch  
mm