

AR II-316 Series 316 Stainless Steel Filter Regulator

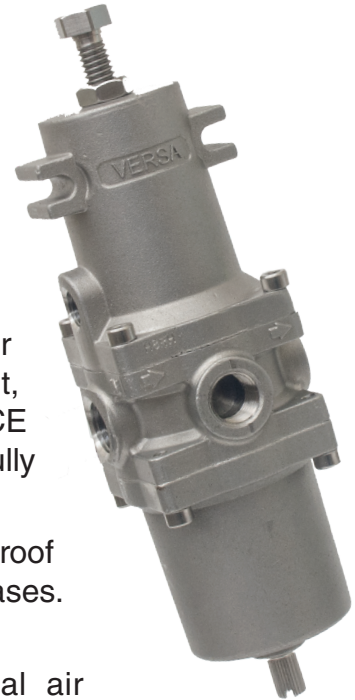
The Versa Type AR II-316 general purpose stainless steel filter regulator is designed to stand up to the harshest environments while providing highly accurate pressure regulation.

Proven 316 stainless steel body, housing and filter assemblies along with fluorocarbon diaphragm construction make the AR II compatible with sour gas and adaptable to offshore environments. This quality instrument is economical to own as well as operate. The AR II provides extremely stable and repeatable control of gas pressure. It is designed using the most current flow optimization software that yields the highest flow for unit size.

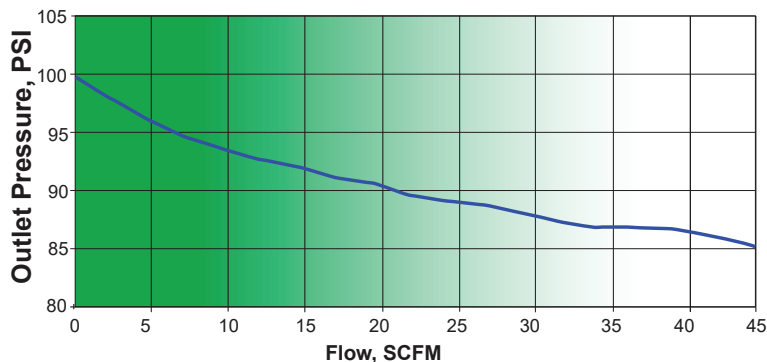
The 316 stainless steel construction is ideal for sour gas and/or corrosive environments. Flow path wetted parts are NACE compliant, meeting sulfide stress cracking material requirements of the NACE Standard MR0175. An optional Inconel spring makes the AR II fully NACE compliant.

The regulator comes standard with an adjusting screw and tamper proof lock nut. A Tapped vent port permits remote venting of hazardous gases. The filter housing is supplied with standard manual drain.

The combined characteristics of high flow capacity and minimal air consumption means efficient economical operation.



**1/4" NPT Regulator Flow Curve,
120 PSI Supply 100 PSI Output**



Flow Rate
Cv 0.8

Pressure Supply Max:	290 psig (20.0 BAR)
Output Ranges:	15 - 150 psig (0-10.3 BAR) 10 - 100 psig (0.69 - 6.9 BAR) 6 - 60 psig (0.41 - 4.1 BAR)
Temperature:	5°F to 302°F (-15°C to 150°C) (std) -18°F to 203°F (-28°C to 95°C) (-44) -67°F to 302°F (-55°C to 150°C) (-F)
Filter:	25 micron (std) 5 & 40 (optional)

Port Size:	Inlet / Outlet: 1/4" NPT Gauge (2): 1/4" NPT Vent: 1/8" NPT
Exhaust Capacity:	1.0 SCFM (1.7 m3/hr) at down stream pressure of 10 psig (0.7 BAR) above setpoint
Media:	Air or Natural Gas

Materials:	
Body, Bonnet, Filter Housing: 316 stainless steel	
Diaphragm/Seals: (Std)	Silicone/FKM
-44	Buna/Buna
-F	Fluorosilicone/Silicone
Valve Spring:	302 stainless steel Inconel (NACE)
Filter:	Polyethylene PE (std) 316 stainless steel (optional)

316 Stainless Steel Regulator Ordering Information

ARF D - 3 4 1 1 - 3 1 6 - * *

SERIES:
AR = REGULATOR
F = FILTER

NACE Compliant:
C = NACE (150 psi range only)
D = Non-NACE

PORTING SIZE:
3 = 1/4" NPT.

FILTER TYPE:
1 = 25 MICRON 316 SS ELEMENT (OPTIONAL)
2 = 5 MICRON 316 SS ELEMENT (OPTIONAL)
3 = 40 MICRON 316 SS ELEMENT (OPTIONAL)
4 = 25 MICRON PE* ELEMENT (STANDARD)
5 = 5 MICRON PE* ELEMENT (OPTIONAL)
6 = 40 MICRON PE* ELEMENT (OPTIONAL)

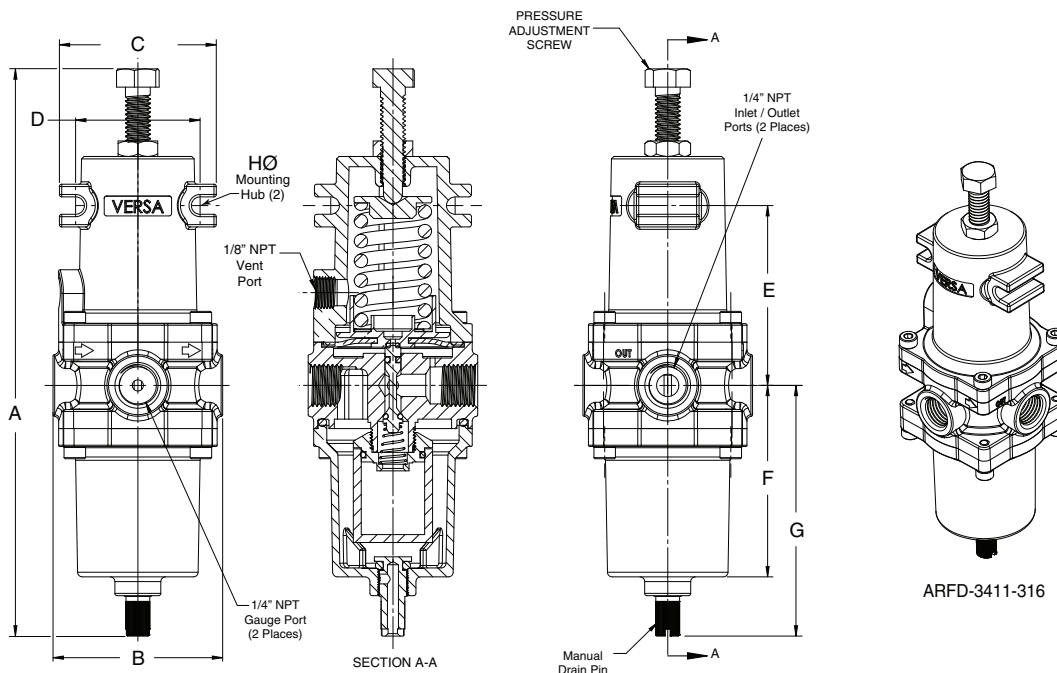
*Polyethylene

OPTIONAL SUFFIXES
See "Suffix Options" table below

MATERIAL:
STAINLESS STEEL 316

PRESSURE RANGE:
1 = 15 - 150 PSIG (1.0 - 10.3 BAR)
2 = 10 - 100 PSIG (0.69 - 6.9 BAR)
3 = 6 - 60 PSIG (0.41 - 4.1 BAR)

REGULATOR FUNCTION:
1 = RELIEVING
2 = NON RELIEVING



Dimensions

Type	Port Size NPT	Weight	Units	A	B	C	D	E	F	G	HØ
ARFD	1/4"	lbs	2.4	Inch	7.16	2.38	1.98	1.57	2.27	2.42	3.16
		kg	1.1	mm	181.8	60.5	50.3	39.9	57.6	61.5	80.3

Repair Kits

Part Number	Description
ARC-RK-1	Repair Kit (NACE)
ARCN-RK-1	Repair Kit
ARC-FK-05-316	Filter Kit, 1/4", 5 micron
ARC-FK-25-316	Filter Kit, 1/4", 25 micron
ARC-FK-40-316	Filter Kit, 1/4", 40 micron
ARC-FK-05-316	Filter Kit, 1/4", 5 micron (Polyethylene Filter -EP)(std)
ARC-FK-25-316	Filter Kit, 1/4", 25 micron (Polyethylene Filter EP)(std)
ARC-FK-40-316	Filter Kit, 1/4", 40 micron (Polyethylene Filter -EP)(std)

Suffix Options

Suffix Detail	Description
-GA	Gauge, 2.5" Diameter, Dry
-GAG	Gauge, 2.5" Diameter, Liquid Filled
-GB	Gauge, 2.0" Diameter, Dry
-GBG	Gauge, 2.0" Diameter, Liquid Filled
-125B	Large Plastic Knob (Black)
-44	Low Temperature service, low temp Buna
-F	Low Temperature service
-RPB	Gauge ports plugged at factory
-RPL	Gauge mounted at factory, inlet on left
-RPR	Gauge mounted at factory, inlet on right