

AFH-316 SERIES High Pressure Stainless Steel Filter

The Type AFH-316 Series of stainless steel filters are designed to stand up to the harshest environments while providing system protection from contamination. Proven 316L stainless steel housing assembly with two types of filter elements, polyethylene or 316L stainless steel, make the AFH-316 ideal for challenging applications such as pipelines, offshore platforms and sour gas media.

Versa's high pressure filter is designed to accept up to 6000 psi input and is available in three configurations, 1/4" NPT inline mounting, 1/4" NPT inline mounting with additional outlet port in the cap and manifold mount (consult factory for manifold mount information).

The additional outlet port in the inline cap provides for a gauge or alternate signal port, eliminating extra fittings. The manifold mount interface facilitates the connection to a customer designed manifold system requiring an integral filter.

The 316L stainless steel construction is ideal for sour gas and/or corrosive environments and is NACE compliant, meeting sulfide stress cracking material requirements for NACE Standard MR0175.

The assortment of available filter element sizes ensures the proper selection for system design, providing efficient contamination removal for maximum protection.



AFHA-3020-316

Media: Pneumatic/Natural Gas	Pressure:	Volume: 0.25 oz. condensate capacity
Filter Microns:	Supply Max: 0-6000 psig (0-414 BAR)	Materials:
Polyethylene: 10 or 25	0-4000 psig (0-275 BAR) with purge valve	Body: 316 Stainless steel
316 Stainless Steel: 3, 10 or 25	0-1600 psig (0-110 BAR) (-VA option)	Seals: FKM (fluorocarbon) (standard)
Port Size:	Filter Temperature:	Nitrile (-44) (optional)
Inlet/Outlet: 1/4" NPT	Polyethylene: -4°F to 180°F (-20°C to 82°C) std	Filter Element: Polyethylene or 316 stainless steel
Flow rate: 0.7 Cv	-40°F to 180°F (-40°C to 82°C) (-44 option)	w/ engineered polymer insert
(10 Micron Polyethylene) 0.5 Cv	316 Stainless: -4°F to 250°F (-20°C to 120°C) std	
Maximum Differential Pressure:	-65°F to 250°F (-54°C to 120°C) (-44 option)	
Polyethylene: 20 PSID		
316 Stainless: 200 PSID		

316 Stainless Steel Filter Ordering Information

PART NUMBER SELECTION GUIDE

AFHA-30 2 0-316-EP

Series

AFHA: High pressure filter, NACE Compliant

Porting Type

30 = 1/4" NPT Side Port
33 = 1/4" NPT Side Port with Additional Outlet Port
(For manifold mount options consult factory)

Filter Elements

1 = 10 Micron Polyethylene
2 = 25 Micron Polyethylene
3 = 3 Micron Stainless Steel
4 = 10 Micron Stainless Steel
5 = 25 Micron Stainless Steel

Options

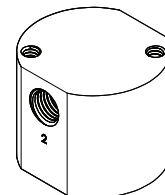
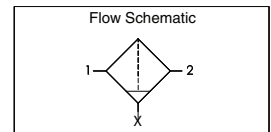
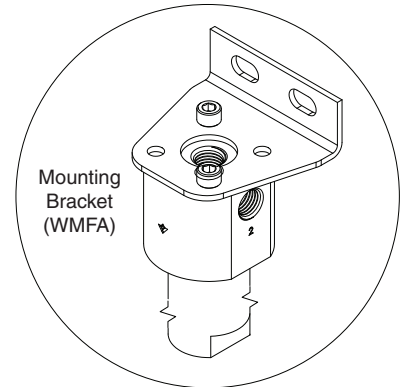
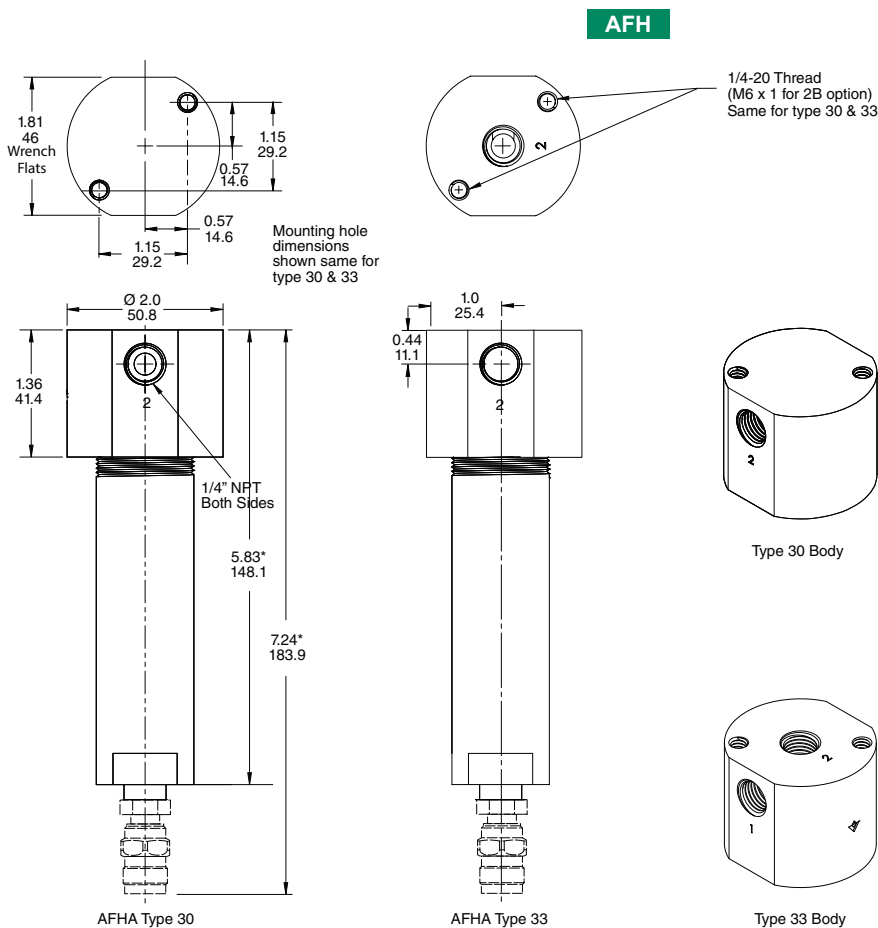
-EP = Low Temp, Ethylene Propylene
-2B= 1/4G Threads
-44 = Low Temperature, Buna
-WMFA Mounting Bracket

Material

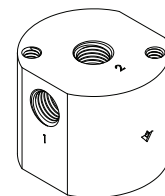
316 = 316 Stainless Steel

Drain Options

0 = Drain Plugged
1 = Drain Valve Supplied



Type 30 Body



Type 33 Body

IN mm

*Allow at least 3" clearance from bottom of filter for element replacement.

Replacement Elements

Filter Material	Part Number
Polyethylene	AFH-090-105-10-RK
Polyethylene	AFH-090-105-25-RK
316 Stainless Steel	AFH-090-105-03-316-RK
316 Stainless Steel	AFH-090-105-10-316-RK
316 Stainless Steel	AFH-090-105-25-316-RK

Suffix Options

Suffix detail	Description
-2B	1/4G thread
-EP	Low Temperature service, Ethylene Propylene
-44	Low Temperature service, low temp Buna
-VA	Filter for VMAP installation
-WMFA	Mounting Bracket

Versa Products Company, Inc., 22 Spring Valley Road, Paramus, NJ 07652 USA Phone (201) 843-2400 Fax (201) 843-2931
Versa BV, Prins Willem Alexanderlaan 1429, 7312 GB Apeldoorn, The Netherlands Phone: +31-55-368-1900 Fax: +31-55-368-1909
e-mail: sales@versa-valves.com www.versa-valves.com

While due care was exercised in preparing this document, Versa Products Company, Inc. shall not be liable for any inaccuracies or omissions. Specifications Subject to change without notice.