



EMERGENCY STOP

B SERIES E-STOP

Manual Button

The Versa E-Stop valve is designed for pneumatic systems that require an emergency stop function. By pushing the knob attached to the Versa 3-Way Normally Closed B Series valve, the source air is blocked and the system air is vented to atmosphere. 3-Way Normally Open also available.

The knob uses an electrical E-Stop twist and lock feature that prevents the valve from returning to the de-energized state until it is manually reset.

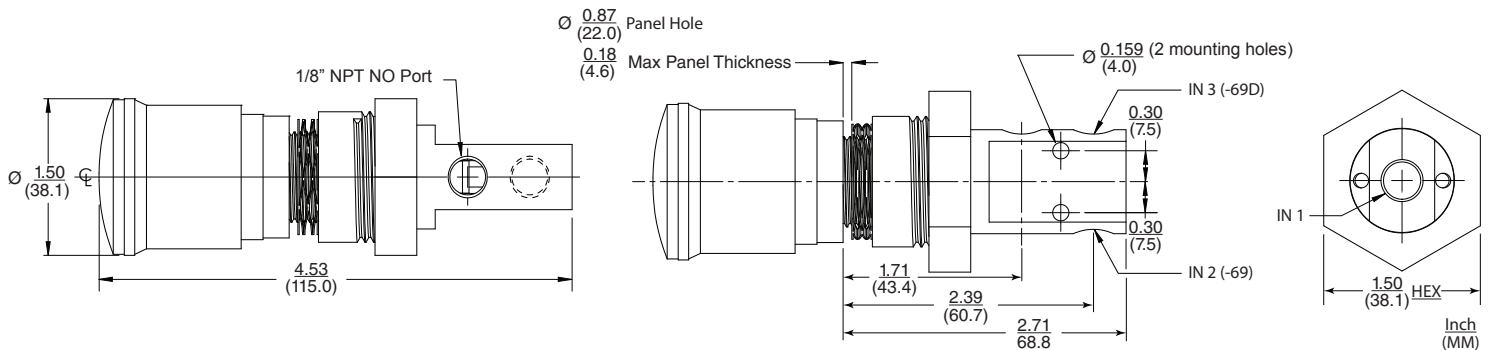
The B Series E-Stop is an ideal solution for an all pneumatic systems. In systems where a pneumatic circuit is preferred over electrical, such as hazardous environment, the B Series E-Stop is the perfect safety solution.

The control valve is based on Versa's B Series brass valve which is field proven with years of reliable service in push button applications.

For ease of installation, the valve body may be rotated 360 degrees and has a choice of three inlet port locations.



BIK-3208-E161A-69D
shown



		Part Number Selection		
		Inlet Position		
Function	Cv	IN 1	IN 2	IN 3
2 Way, Normally Closed	0.6	BIK-2208-E161A	BIK-2208-E161A-69	BIK-2208-E161A-69D
2 Way, Normally Open	0.5	BIK-2206-E161A	BIK-2206-E161A-69	BIK-2206-E161A-69D
3 Way, Normally Closed	0.6	BIK-3208-E161A	BIK-3208-E161A-69	BIK-3208-E161A-69D
3 Way, Normally Open	0.5	BIK-3206-E161A	BIK-3206-E161A-69	BIK-3206-E161A-69D

Function:	2-Way or 3-Way 2-position
Flow Rate:	See above
Port Size:	Inlets and Cylinder: 1/8" NPT Exhaust: unthreaded port, vent under nut
Media:	Pneumatic: 2-Way/3-Way Hydraulic: 2-Way only
Pressure:	Vac to 200 psi (Vac to 13.8 bar) Pneumatic 0 to 500 psi (0 to 34.5 bar) Hydraulic

Temperature:	-10°F to 200°F (-23°C to 93°C)
Materials:	Valve body: Brass Plunger: Stainless Steel Valve seals: NBR (Nitrile)
Mounting:	Panel or line mounted Can be mounted in any orientation