



Hydraulic Interface Valve

*Designed for the **Most Extreme Environments***

March 2006



- 4 GPM (15 LPM)
- 10,000 PSI (690 bar)
- Block Before Bleed
- Ceramic Ball Sealing
- 3 Way N/C
- Low Friction Pneumatic Diaphragm Actuator
- Optional Manual Override
- Body Mount or Optional Offset Bracket

Ordering Information

Base Part Number
HSW-30603-AP-

Suffix Details

Manual Override –ME

Mounting Bracket –BR

Low Temp –44

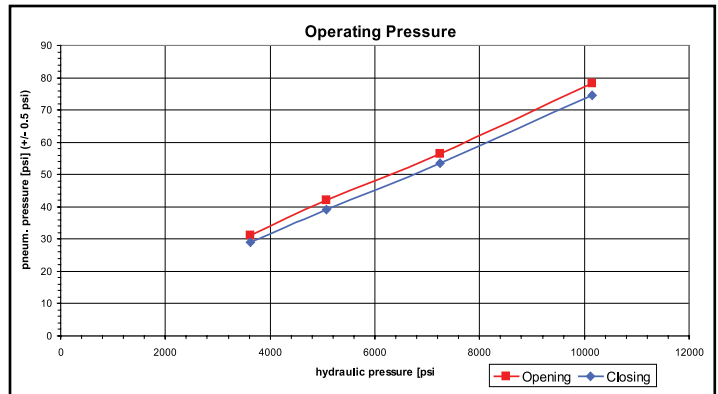
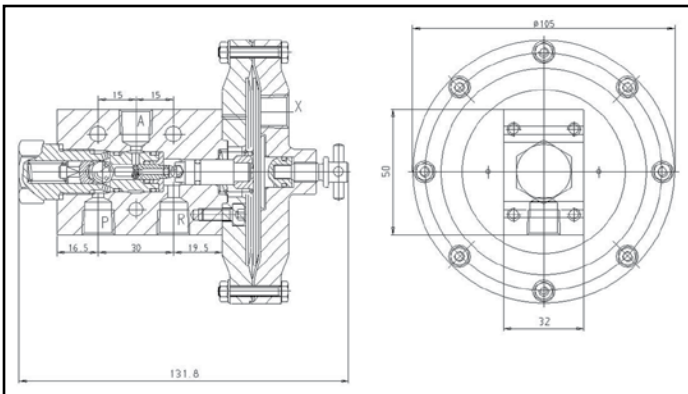
Accessories

Mounting Bracket

H-3301-99-316

SPECIFICATIONS

| | |
|------------------------------|---------------------------------------|
| Flow / Function | 3 Way 2 Position Block Before Bleed |
| Body Operating Pressure max. | 10,000 psig (690 Bar) |
| Static Test Pressure | 1.5 Operating Pressure |
| Seal Material | Viton (Other elastomers available) |
| Body Material | 316 Stainless Steel |
| Port Size | 1/4" NPT |
| Nominal Flow | 4 GPM (15 lpm) @ Δp=145psi (10 bar) |
| Cv | 0.33 |
| Temperature Range | -20°F to 250°F (-29°C to 121°C) |
| Media | Hydraulic Fluid, Water Glycol, Others |
| Pneumatic Pilot Pressure | See Chart |
| Weight | 4.9 lbs. (2.2 kg) |



Versa Products Company Inc. · 22 Spring Valley Rd. · Paramus NJ · 07652
Phone 201-843-2400 · Web Site www.versa-valves.com · e-mail: sales@versa-valves.com

Versa exercises diligence to assure that information contained on this specification sheet is correct, but does not accept responsibility for any errors or omissions. Versa also reserves the right to change or delete data or products at any time without prior notification. To be sure data you require is correct consult factory.