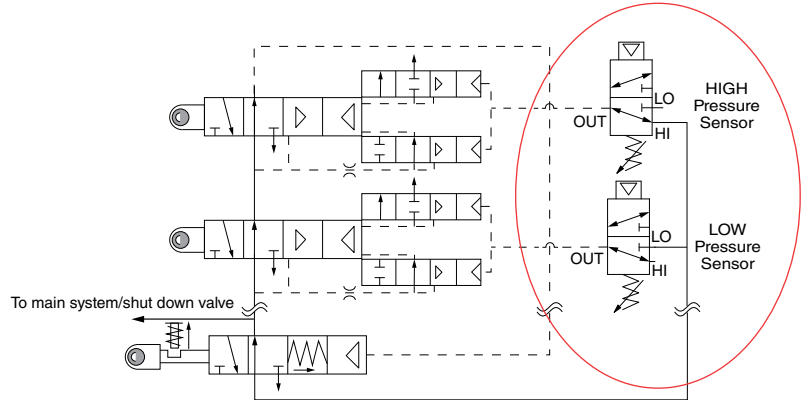
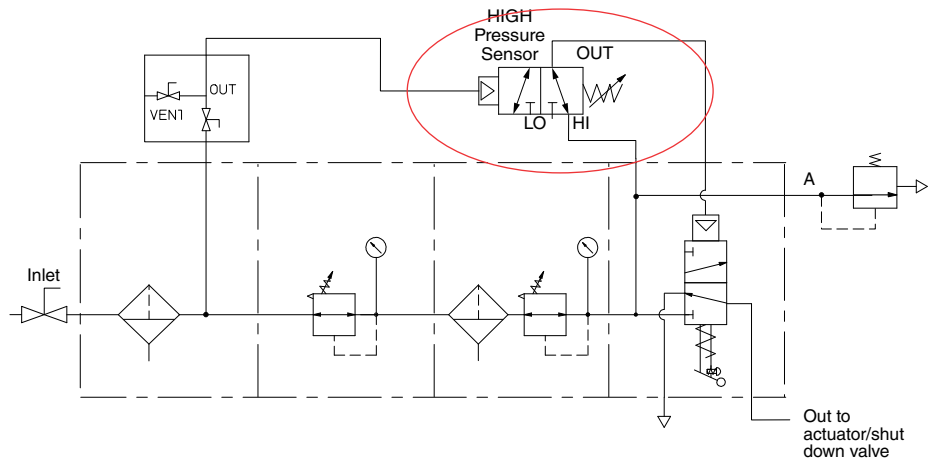


Applications

Well Head Control Typical First Out Indicator



Pipeline Control Over Pressure Protection



High-Low Trip System Manifold Assembly

